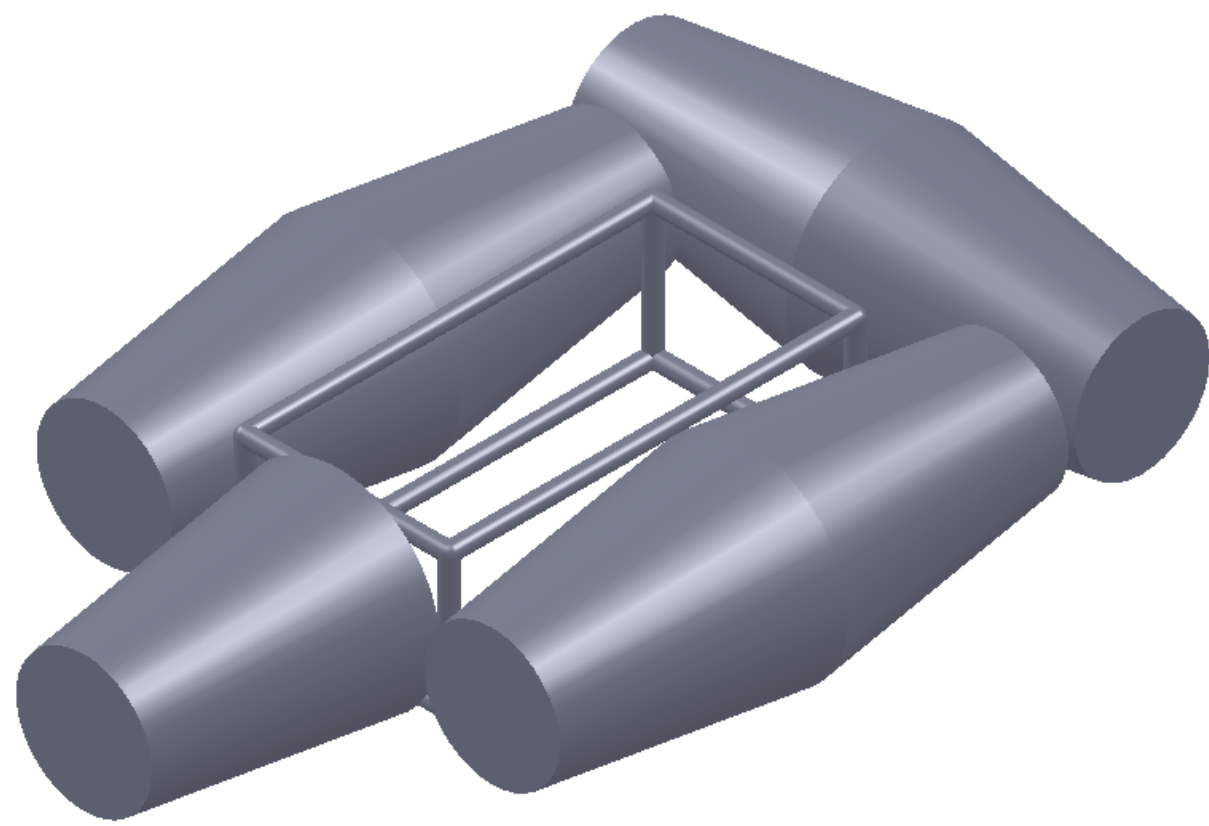


8 7 6 5 4 3 2 1

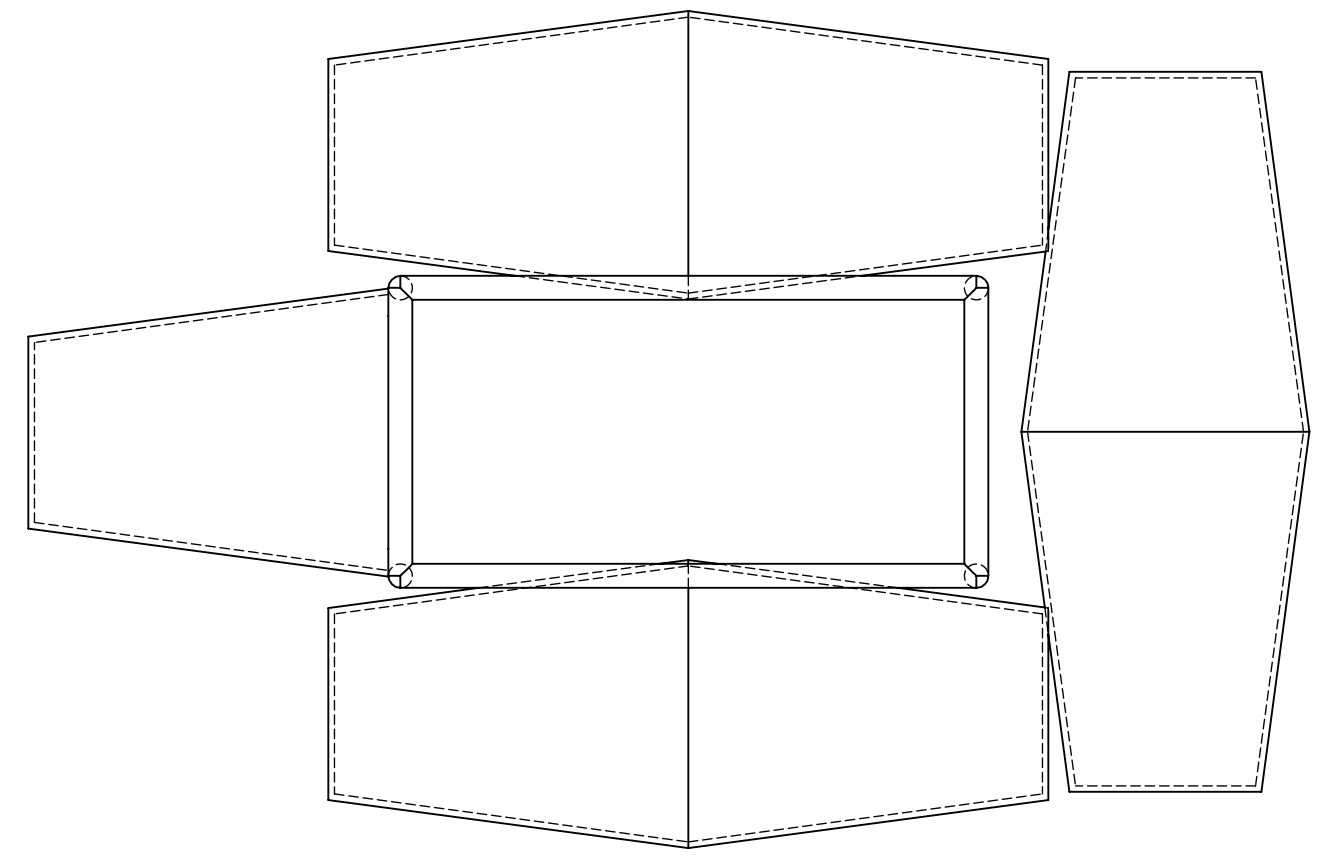
D

D



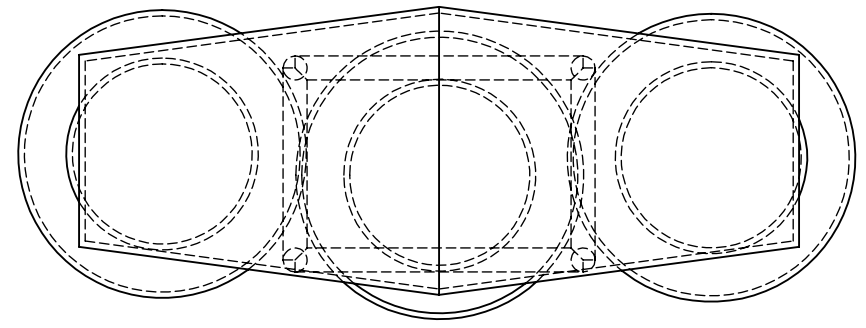
C

C



B

B



A

A

PROPRIETARY AND CONFIDENTIAL
 THE INFORMATION CONTAINED IN THIS
 DRAWING IS THE SOLE PROPERTY OF
 <INSERT COMPANY NAME HERE>. ANY
 REPRODUCTION IN PART OR AS A WHOLE
 WITHOUT THE WRITTEN PERMISSION OF
 <INSERT COMPANY NAME HERE> IS
 PROHIBITED.

		UNLESS OTHERWISE SPECIFIED:		NAME	DATE	Alan Marlowe			
		DIMENSIONS ARE IN INCHES		DRAWN		TITLE: Boat			
		TOLERANCES:		CHECKED					
		FRACTIONAL ±		ENG APPR.					
		ANGULAR: MACH ± BEND ±		MFG APPR.					
		TWO PLACE DECIMAL ±		Q.A.		SIZE	DWG. NO.	REV	
		THREE PLACE DECIMAL ±		COMMENTS:		B			
		INTERPRET GEOMETRIC TOLERANCING PER:				SCALE: 1:4		WEIGHT:	SHEET 1 OF 1
		MATERIAL							
NEXT ASSY	USED ON	FINISH							
APPLICATION		DO NOT SCALE DRAWING							

8 7 6 5 4 3 2 1